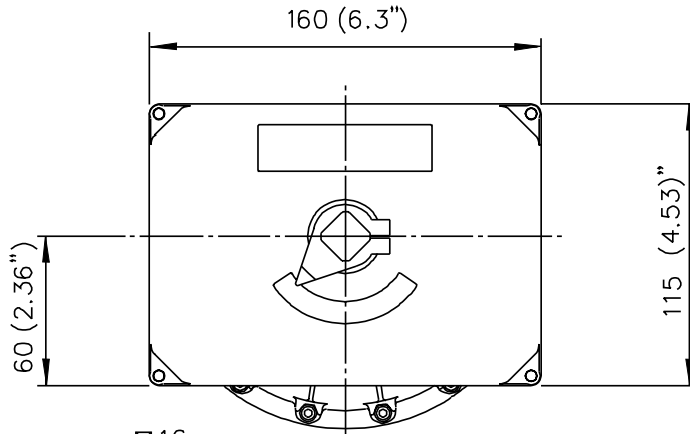


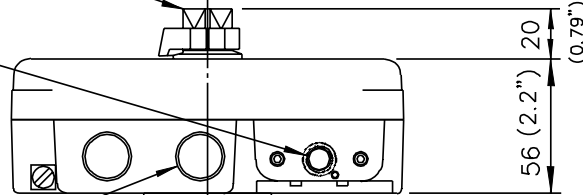
# EL positioner assembly dimensions



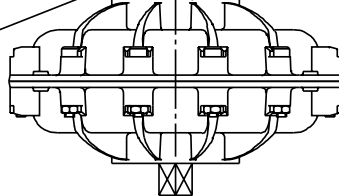
**EL Positioner  
shown direct mounted on a  
Kinetrol 05 actuator**

**Air Inlet Port:**  
ISO & DIN models G 1/8" NPT  
ANSI models 1/4" NPT

∅ 16  
(0.63")

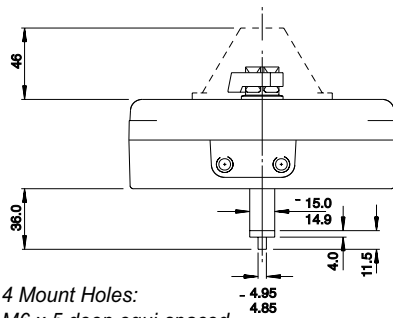


**2 Conduit Entries:**  
ISO models M20  
DIN models Pg 13.5  
ANSI models 1/2" x 14 NPS

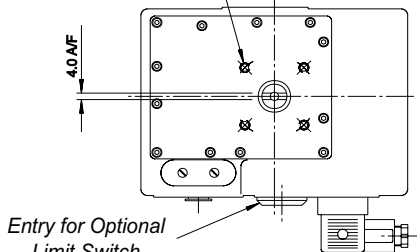


Actuator Model	* Additional Adaptor Dim.	Additional Adaptor Weight
12	15.0 (0.59")	0.65 kg/1.4 lbs
14	18.0 (0.71")	0.65 kg/1.4 lbs

## Namur discrete version

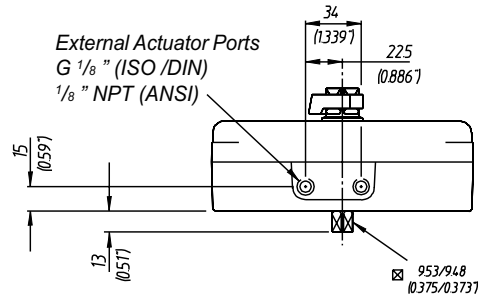


**4 Mount Holes:**  
M6 x 5 deep equi-spaced  
on 50 PCD

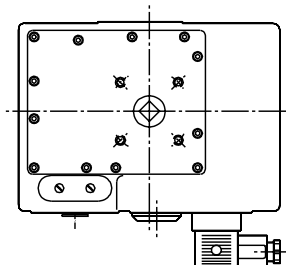


**Entry for Optional  
Limit Switch  
(Shown plugged)**

## Kinetrol discrete version



Where drawing information is not given - it is the same for both versions



DIN Plug options - shown 90° out of true position ISO/DIN models Pg 11 cable gland (8 to 10 mm dia) ANSI models 1/2" NPT cable entry (for use with flexible conduit).