

# spring return actuator dimensions

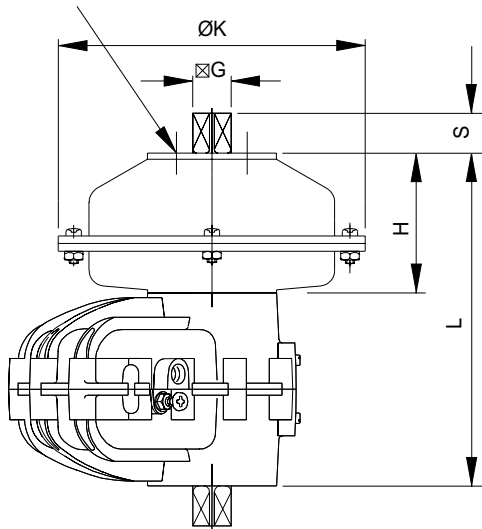
## metric units

actuator model	L mm	H mm	ØK mm	⊠G mm	S mm	N No.	T ISO	D mm	PCD mm	Wt kg
01-120	60.2	23.2	58.8	4.8	7.2	3	M3	4.0	15.9	0.53
01A-120	61.7	23.2	58.8	4.8	7.2	3	M3	4.0	15.9	0.50
02-120	90.0	40.0	73.0	8.0	10.0	4	M4	8.0	25.5	0.84
03-120-5600	100.0	40.0	73.0	8.0	10.0	4	M4	8.0	25.5	1.13
03-120	107.0	47.0	108.0	9.0	12.0	4	M5	10.0	31.1	2.08
05-120	114.0	47.0	108.0	9.5	13.0	6	M5	8.0	34.9	2.63
07-120-4000	155.3	55.3	108.0	9.5	13.0	6	M5	8.0	34.9	4.65
07-120	182.0	82.0	152.0	16.0	20.0	4	M8	16.0	50.9	7.26
08-120-4100	181.0	82.0	152.0	16.0	20.0	4	M8	16.0	50.9	7.21
08-120	191.0	92.0	200.0	14.3	19.0	6	M8	12.0	50.8	11.48
09-120-4200	208.0	82.0	152.0	16.0	20.0	4	M8	16.0	50.9	10.50
09-120	218.0	92.0	200.0	19.0	26.0	4	M10	20.0	65.0	14.77
10-120-5800	265.0	92.0	200.0	19.0	26.0	4	M10	20.0	65.0	17.85
10-120	285.0	112.0	206.0	22.0	26.0	8	M10	16.0	102.0	22.00
12-120-4300	248.0	92.0	200.0	19.0	26.0	4	M10	20.0	65.0	20.73
12-120-4400	340.0	184.0	200.0	19.0	26.0	4	M10	20.0	65.0	28.96
12-120	293.0	136.0	258.0	25.0	31.0	4	M12	22.0	77.8	27.95
14-120-4900	417.0	217.0	258.0	28.6	38.0	4	M16	28.5	98.8	51.81
14-120	374.0	174.0	394.0	28.6	38.0	4	M16	28.5	98.8	71.25
14-120-5000	337.0	137.0	258.0	28.6	38.0	4	M16	28.5	98.8	38.18
16-120-6000	586.0	312.0	394.0	28.6	38.0	4	M16	28.5	98.8	90.00
16-120-6100	450.0	176.0	394.0	41.0	55.0	4	M24	32.0	152.7	75.00
16-120	485.5	211.5	524.0	41.0	55.0	4	M24	38.0	152.7	123.0
18-120-7000	571.5	211.5	524.0	57.0	78.0	4	M30	50.0	226.3	161.0
18-120	671.5	311.5	524.0	57.0	78.0	4	M30	50.0	226.3	240.0
20-120-7200	931.5	311.5	524.0	73.0	100.0	8	M30	50.0	226.3	350.0
20-120-7300	1031.5	411.5	524.0	73.0	100.0	8	M30	50.0	226.3	408.0
20-120	1131.5	511.5	524.0	73.0	100.0	8	M30	50.0	226.3	479.0

\* Female drive unless specified.

Mount hole orientation same as actuator except model 01 and low pressure combinations (set for below 5.5 bar / 80 psi)

N number of holes  
T thread x D deep x PCD



## english units

actuator model	L inch	H inch	ØK inch	⊠G inch	S inch	N No.	T UNF	D inch	PCD inch	Wt lb
01-120	2.37	0.91	2.32	0.187	0.28	3		0.16	0.625	1.17
01A-120	2.43	0.91	2.32	0.187	0.28	3	4-48	0.16	0.625	1.10
02-120	3.54	1.58	2.87	0.315	0.39	4	8-36	0.31	1.00	1.85
03-120-5600	3.94	1.58	2.87	0.315	0.39	4	8-36	0.31	1.00	2.49
03-120	4.21	1.85	4.25	0.354	0.47	4	10-32	0.39	1.225	4.58
05-120	4.49	1.85	4.25	0.375	0.51	6	10-32	0.31	1.375	5.80
07-120-4000	6.11	2.18	4.25	0.375	0.51	6	10-32	0.31	1.375	10.25
07-120	7.17	3.23	6.00	0.630	0.79	4	5/16-24	0.63	2.00	16.00
08-120-4100	7.13	3.23	6.00	0.630	0.79	4	5/16-24	0.63	2.00	15.90
08-120	7.52	3.62	7.87	0.563	0.75	6	5/16-24	0.47	2.00	25.31
09-120-4200	8.19	3.23	6.00	0.630	0.79	4	5/16-24	0.63	2.00	23.15
09-120	8.58	3.62	7.90	0.748	1.02	4	3/8-24	0.79	2.56	32.56
10-120-5800	10.43	3.62	7.90	0.748	1.02	4	3/8-24	0.79	2.56	40.30
10-120	11.22	4.41	8.11	0.866	1.02	8	3/8-24	0.63	4.02	48.50
12-120-4300	9.76	3.62	7.90	0.748	1.02	4	3/8-24	0.79	2.56	45.71
12-120-4400	13.39	7.25	7.90	0.748	1.02	4	3/8-24	0.79	2.56	63.86
12-120	11.54	5.35	10.16	0.984	1.22	4	1/2-20	0.87	3.06	61.62
14-120-4900	16.43	8.54	10.16	1.125	1.50	4	5/8-18	1.12	3.89	113.98
14-120	14.72	6.85	15.50	1.125	1.50	4	5/8-18	1.13	3.89	157.00
14-120-5000	13.27	5.40	10.16	1.125	1.50	4	5/8-18	1.13	3.89	84.19
16-120-6000	23.07	12.28	15.50	1.125	1.50	4	5/8-18*	1.13	3.89	198.00
16-120-6100	17.72	6.93	15.50	1.614	2.17	4	7/8-9	1.26	6.01	165.00
16-120	19.11	8.33	20.63	1.614	2.17	4	7/8-9	1.50	6.01	272.00
18-120-7000	22.50	8.33	20.63	2.244	3.07	4	1 1/8-7**	1.97	8.91	356.00
18-120	26.44	12.26	20.63	2.244	3.07	4	1 1/8-7**	1.97	8.91	530.00
20-120-7200	36.67	12.26	20.63	2.874	3.94	8	1 1/8-7**	1.97	8.91	773.00
20-120-7300	40.61	16.20	20.63	2.874	3.94	8	1 1/8-7**	1.97	8.91	901.00
20-120	44.55	20.14	20.63	2.874	3.94	8	1 1/8-7**	1.97	8.91	1058.00

\*\*UNC

Clockwise (120) and counter clockwise (130) units have identical dimensions.